

MT300X
22400132-21

MT302X
22400132-23

EUROMAC T-31
22400132-27

EUROMAC T-32
22400132-29

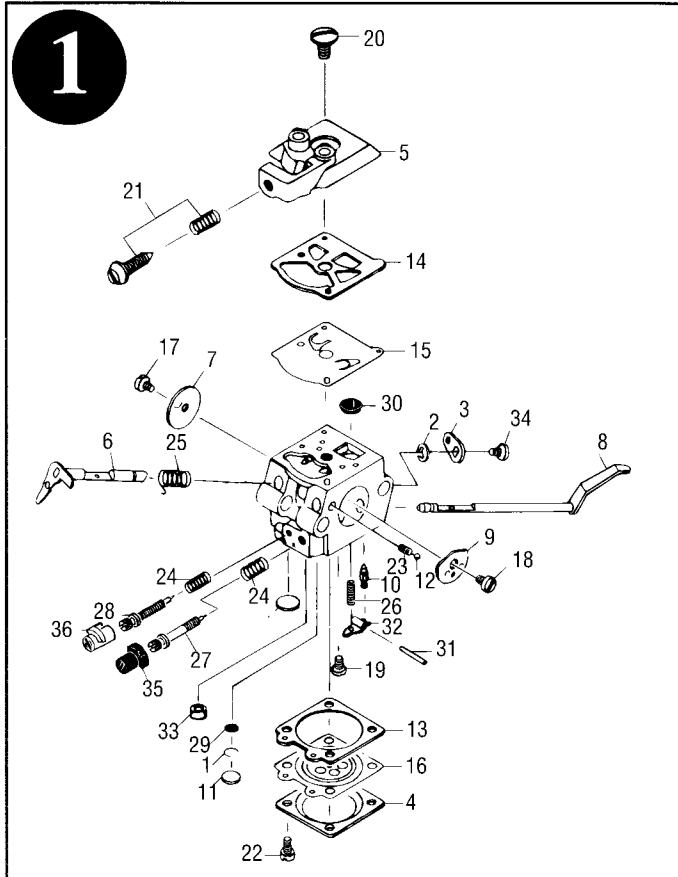
PN 211874



APRIL 1998

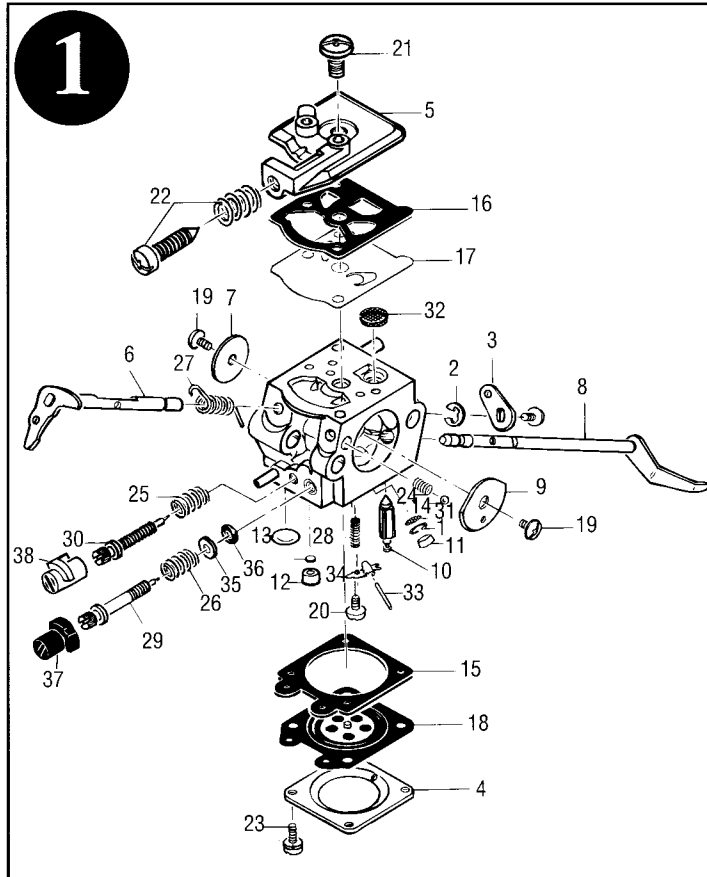
McCULLOCH®

© 1998 McCulloch Corporation, P.O. Box 11990, Tucson, AZ 85734-1990 • U.S.A. • Printed in U.S.A.



C 323602-03 Zama C1U M29D

1 ①	---	1	15 ①②	---	1	29	---	1
2	---	1	16 ①②	---	1	30 ①	---	1
3	---	1	17 ③	---	1	31 ①	---	1
4	---	1	18	---	1	32 ①	---	1
5	300456	1	19	---	1	33 ①	---	1
6	---	1	20	---	2	34 ①	---	1
7	---	1	21	---	1	35	323603	1
8 ③	---	1	22	---	2	36	323604	1
9 ③	---	1	23 ③	---	1			
10 ①	---	1	24	---	2	B ①	300454 (RB-48)	
11 ①	---	1	25	---	1	A ②	300473 (GND-13)	
12 ③	---	1	26 ①	---	1	③	322358 (K041001)	
13 ①②	---	1	27	---	1			
14 ①②	---	1	28	---	1			

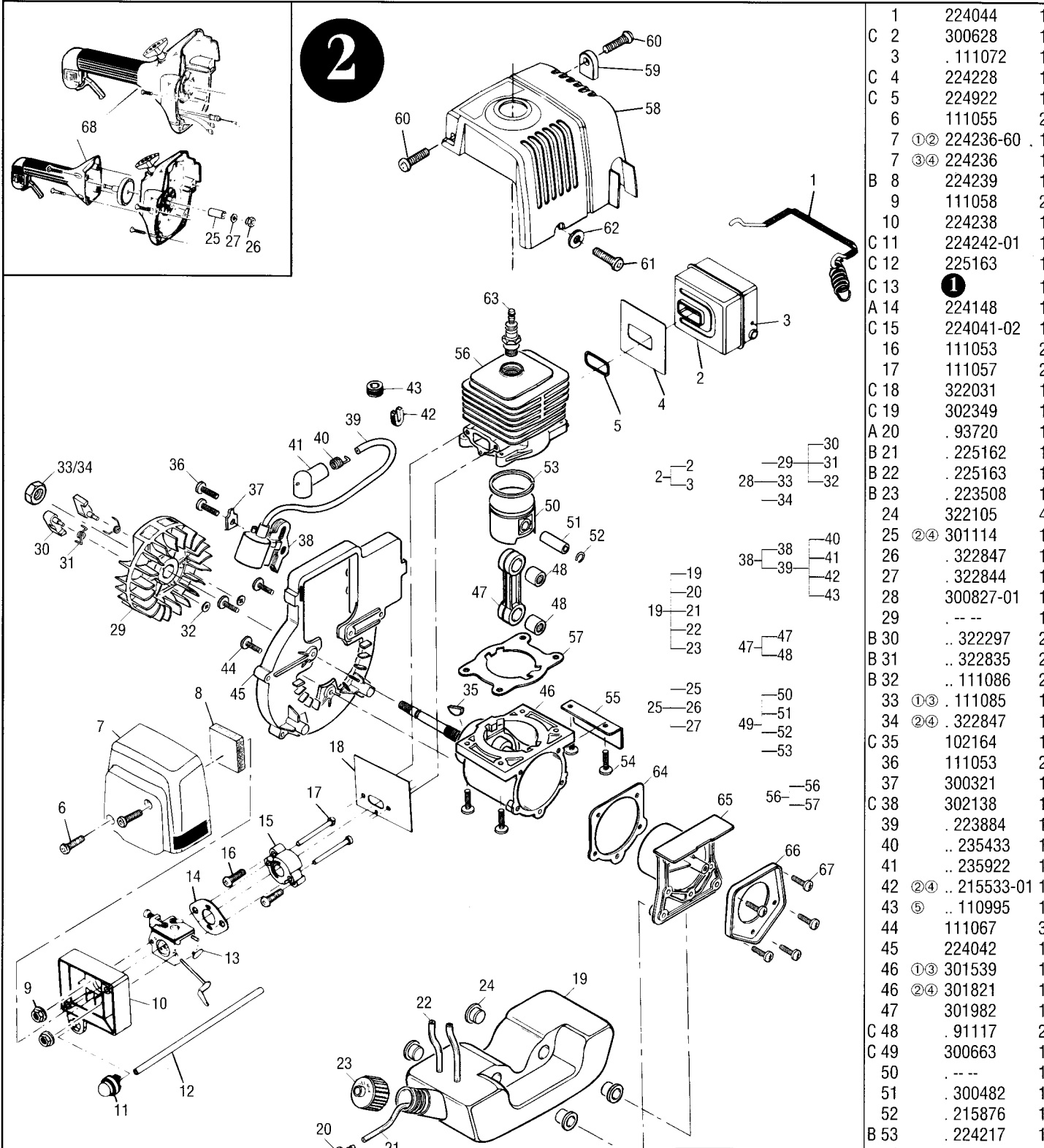
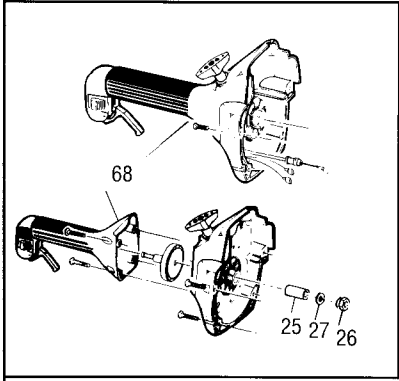


C 323602-03 Walbro, WT 434

1 ①	---	1	15 ①②	---	1	29	---	1
2	---	1	16 ①②	---	1	30	---	1
3	---	1	17 ①②	---	1	31	---	2
4	---	1	18 ①②	---	1	32 ①	---	1
5	300072	1	19 ①③	---	2	33 ①	---	1
6	---	1	20 ①	---	1	34 ①	---	1
7	---	1	21	---	1	35	---	1
8 ③	---	1	22	---	1	36	---	1
9 ③	---	1	23	---	4	37	323601	1
10 ①	---	1	24 ③	---	1	38	323602	1
11	---	1	25	---	1			
12 ①	---	1	26	---	1			
13 ①	---	1	27	---	2	B ①	324011 (A1126WT)	
14 ③	---	1	28 ①	---	2	A ②	324009 (B1110WT)	
						③	322363 (40-999)	

A = high moving - alta rotazione - haute demande - große Nachfrage B = medium moving - media rotazione - moyenne demande - mittelmäßige Nachfrage C = slow moving - bassa rotazione - basse demande - wenige Nachfrage

2



1	224044	1
C 2	300628	1
3	. 111072	1
C 4	224228	1
C 5	224922	1
6	111055	2
7	①② 224236-60	1
7	③④ 224236	1
B 8	224239	1
9	111058	2
10	224238	1
C 11	224242-01	1
C 12	225163	1
C 13	①	1
A 14	224148	1
C 15	224041-02	1
16	111053	2
17	111057	2
C 18	322031	1
C 19	302349	1
A 20	. 93720	1
B 21	. 225162	1
B 22	. 225163	1
B 23	. 223508	1
24	322105	4
25	②④ 301114	1
26	. 322847	1
27	. 322844	1
28	300827-01	1
29	---	1
B 30	.. 322297	2
B 31	.. 322835	2
B 32	.. 111086	2
33	①③ . 111085	1
34	②④ . 322847	1
C 35	102164	1
36	111053	2
37	300321	1
C 38	302138	1
39	. 223884	1
40	.. 235433	1
41	.. 235922	1
42	②④ .. 215533-01	1
43	⑤ .. 110995	1
44	111067	3
45	224042	1
46	①③ 301539	1
46	②④ 301821	1
47	301982	1
C 48	. 91117	2
C 49	300663	1
50	---	1
51	. 300482	1
52	. 215876	1
B 53	. 224217	1
54	111065	4
55	322030	1
C 56	300453	1
B 57	. 224022	1
58	①② 224235-60	1
58	③④ 300304	1
59	322210	1
60	111067	2
61	111068	1
62	93469	1
A 63	92879	1
C 64	224023	1

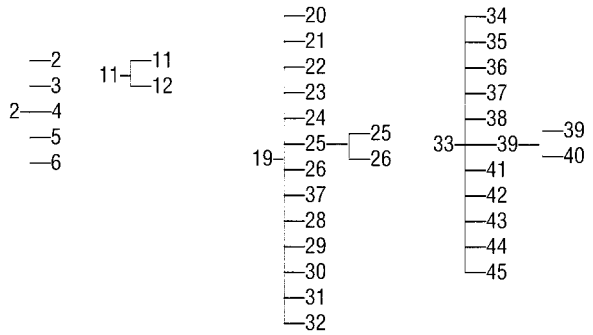
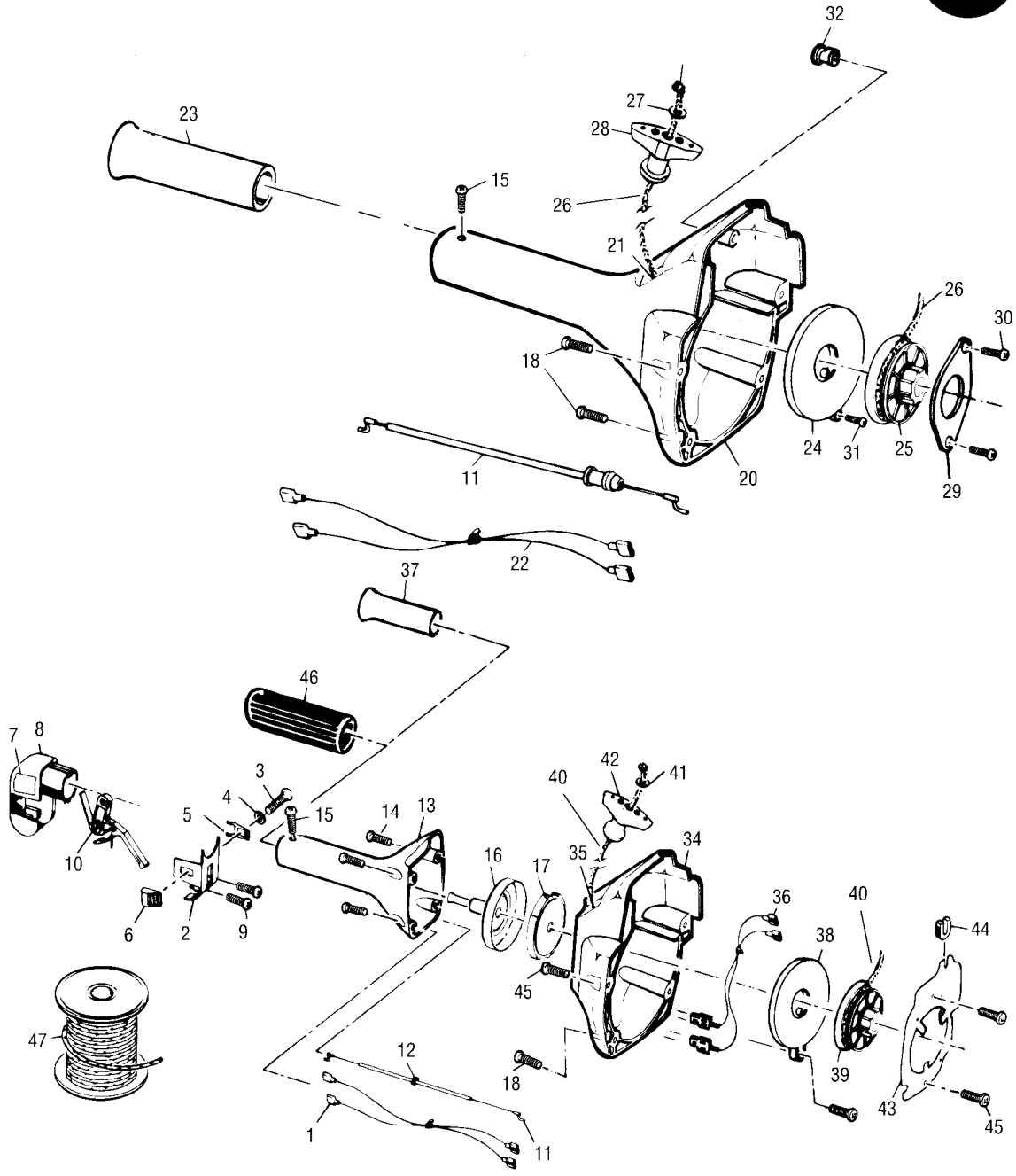
65	224024-01	1
66	322437-90	1
67	111065	5
68	③	1

① 22400132-21
 ② 22400132-23
 ③ 22400132-27
 ④ 22400132-29
 ⑤ ~~48~~

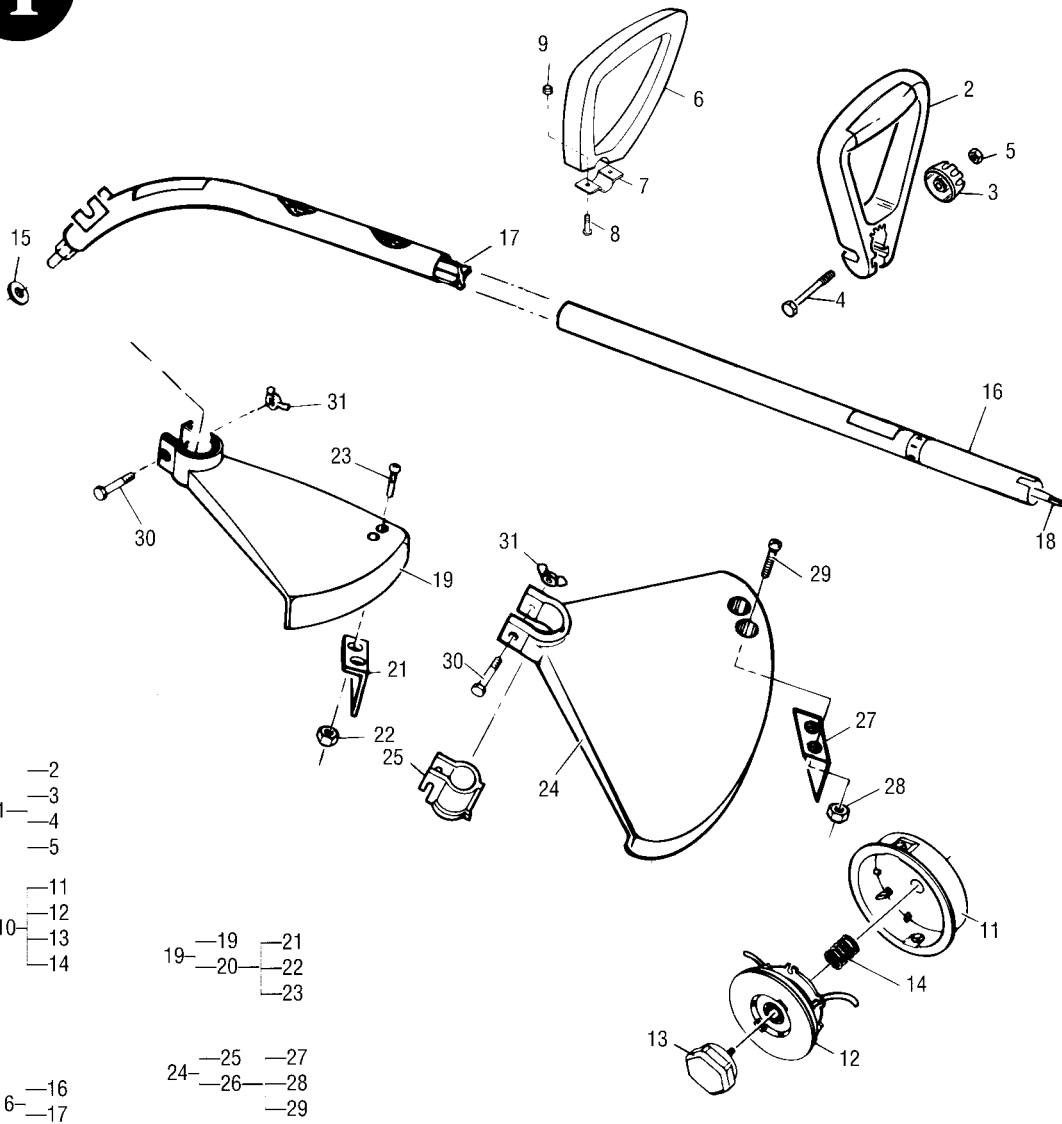
A = high moving - alta rotazione - haute demande - große Nachfrage B = medium moving - media rotazione - moyenne demande - mittelmäßige Nachfrage C = slow moving - bassa rotazione - basse demande - wenige Nachfrage

1	②④	301133	1
2	①③	300064	1
3		111069	1
4		105497	1
5		224246	1
6		224245	1
7		322081	1
8		224234	1
9		111061	2
C 10		300361	1
C 11	①③	300149-01	1
C 11	②④	300372-01	1
12		111074	1
13	②④	300782-61	1
14	②④	224919	4
15		111070	1
C 16	②④	302106	1
C 17	②④	300459	1
18		111067	4
C 19	①③	224917-61	1
20		---	1
21		---	1
22		301135	1
23		322234	1
B 24		300475	1
B 25		300872	1
A 26		222869	1
27		218941	1
28		216792	1
29		322362	1
30		223357	2
31		322027	1
32		300119	1
C 33	②④	224916-61	1
34		---	1
35		---	1
36		301134	1
37		322234	1
B 38		300475	1
B 39		300872	1
A 40		222869	1
41		218941	1
42		216792	1
43		224927	1
44		215533-01	1
45		223357	3
46	②④	322140	1
47		300415	1

- ① 22400132-21
- ② 22400132-23
- ③ 22400132-27
- ④ 22400132-29



4



1	③④ 300834	1
2	. 37106-10	1
3	. 322719	1
4	. 09075-99	1
5	. 13035-99	1
6	①② 217444	1
7	①② 217442	1
8	①② 120041	2
9	①② 217159	2
A 10	300639	1
11	. 322025	1
B 12	. 300137-01	1
C 13	. 300736	1
C 14	. 324089	1
15	224986	1
16	300429	1
17	. 223412	1
C 18	301023	1
19	①③ 224062	1
20	. 300626	1
21	.. 224497-01	1
22	.. 216682	2
23	.. 217935	2
24	②④ 300317	1
25	. 224499	1
26	. 300626	1
27	.. 224497-01	1
28	.. 216682	2
29	.. 217935	2
30	216595	1
31	111102	1
① 22400132-21		
② 22400132-23		
③ 22400132-27		
④ 22400132-29		

- 2
- 3
- 1-4
- 5
- 11
- 12
- 10-13
- 14
- 19
- 21
- 20
- 22
- 23
- 25
- 27
- 24
- 26
- 28
- 29
- 16
- 16-17

322235-02	620 (10ml)
	242 (10ml)
	518 (50ml)
	380 (3ml)
	262 (10ml)
	767 (30ml)

			x	N•m	
⊕ 53	111065	4	6.2 - 6.7	242	
⊕ 66	111065	5	3.9 - 4.5	242	
⊕ 16	111053	2	5 - 5.6	242	
⊕ 44	111067	3	6.2 - 6.7	242	
⊕ 9	111058	2	2.8 - 3.4	--	
⊕ 62	92879	1	12.4 - 13.5	--	
⊕ 36	111053	2	5 - 5.6	242	
⊕ 33	111085	1	15.8 - 16.3	242	
⊕ 34	322847	1	15.8 - 16.3	242	
⊕ 18	111067	4	3.4 - 3.9	--	
⊕ 14	224919	4	3.4 - 3.9	--	

	PN 323330
	PN 323754 - T-10,15,20,25,27,30
	PN 236409
	PN 237105
	PN 226148 - T-25
	PN 111124 - T-27

A = high moving - alta rotazione - haute demande - große Nachfrage B = medium moving - media rotazione - moyenne demande - mittelmäßige Nachfrage C = slow moving - bassa rotazione - basse demande - wenige Nachfrage